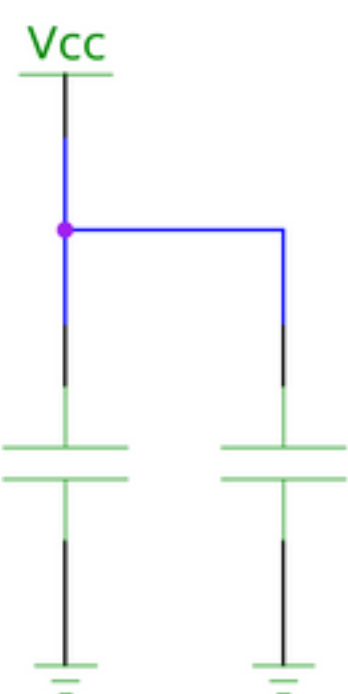


Blocking Cap for P8X32A.  
001YCR4u001 6T1C



Blocking Cap for P8X32A.  
001YCR4u001 6T1C

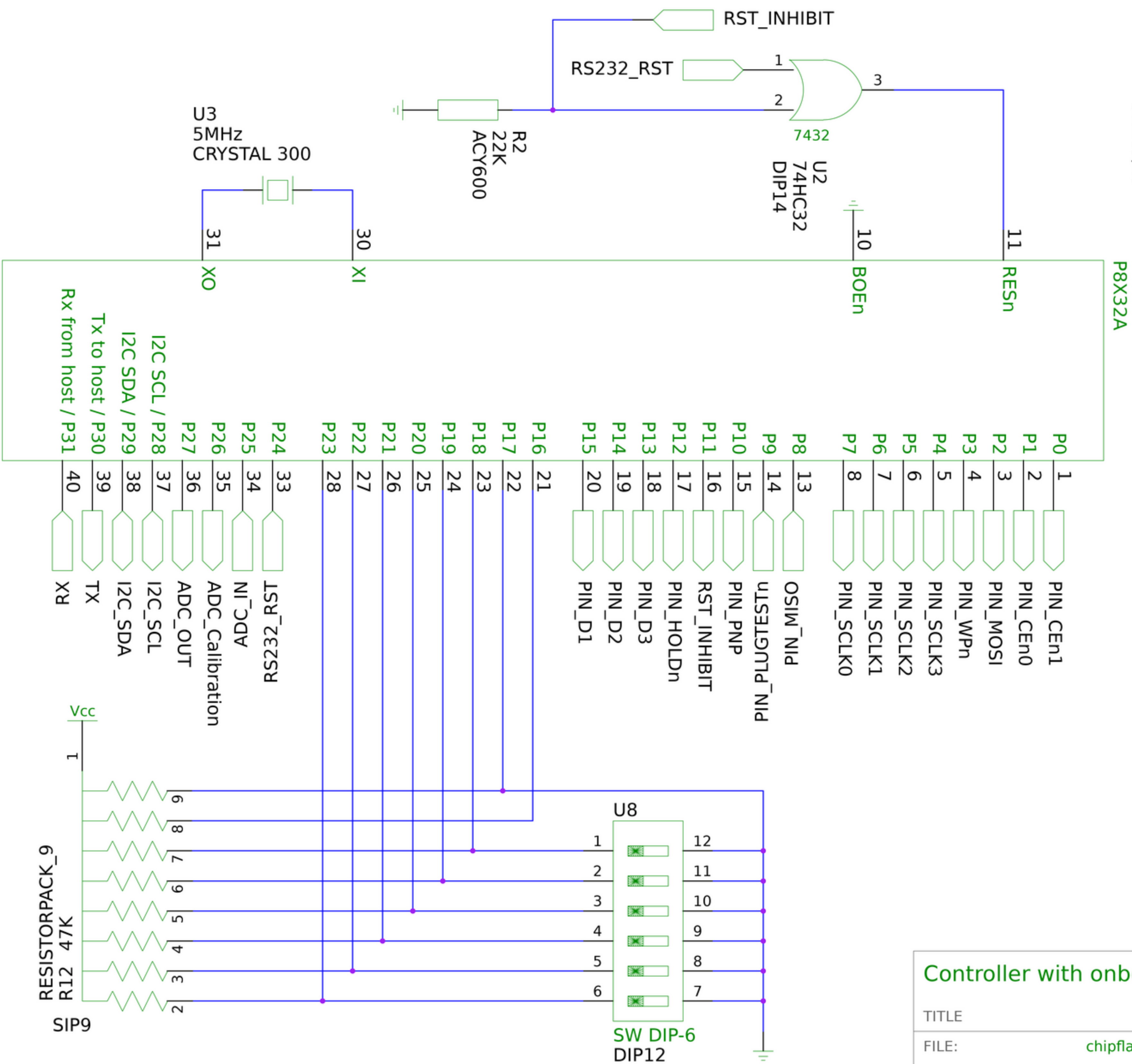


Blocking Cap for P8X32A.  
001YCR4u001 6T1C

U1  
DIP40

This chip is precious, use socket.  
If Vdd falls below +2.7V, all pins become tristate.  
In order to decouple Vdd, use two 100nF caps, one left, one right.  
RESn is pulled up through 5K when BOEn is low.

Vcc:12,32  
GND:9,29



### Controller with onboard RAM

**Zerocat Chipflasher**  
Flash free firmware, kick the Management Engine.  
[git://zerocat.org/zerocat/projects/chipflasher](https://zerocat.org/zerocat/projects/chipflasher)

|       |                             |           |                      |
|-------|-----------------------------|-----------|----------------------|
| TITLE | Controller with onboard RAM |           |                      |
| FILE: | chipflasher-page01.sch      | REVISION: | v0.7.0-318-fa7ba6995 |
| PAGE  | OF                          | DRAWN BY: | kmx                  |