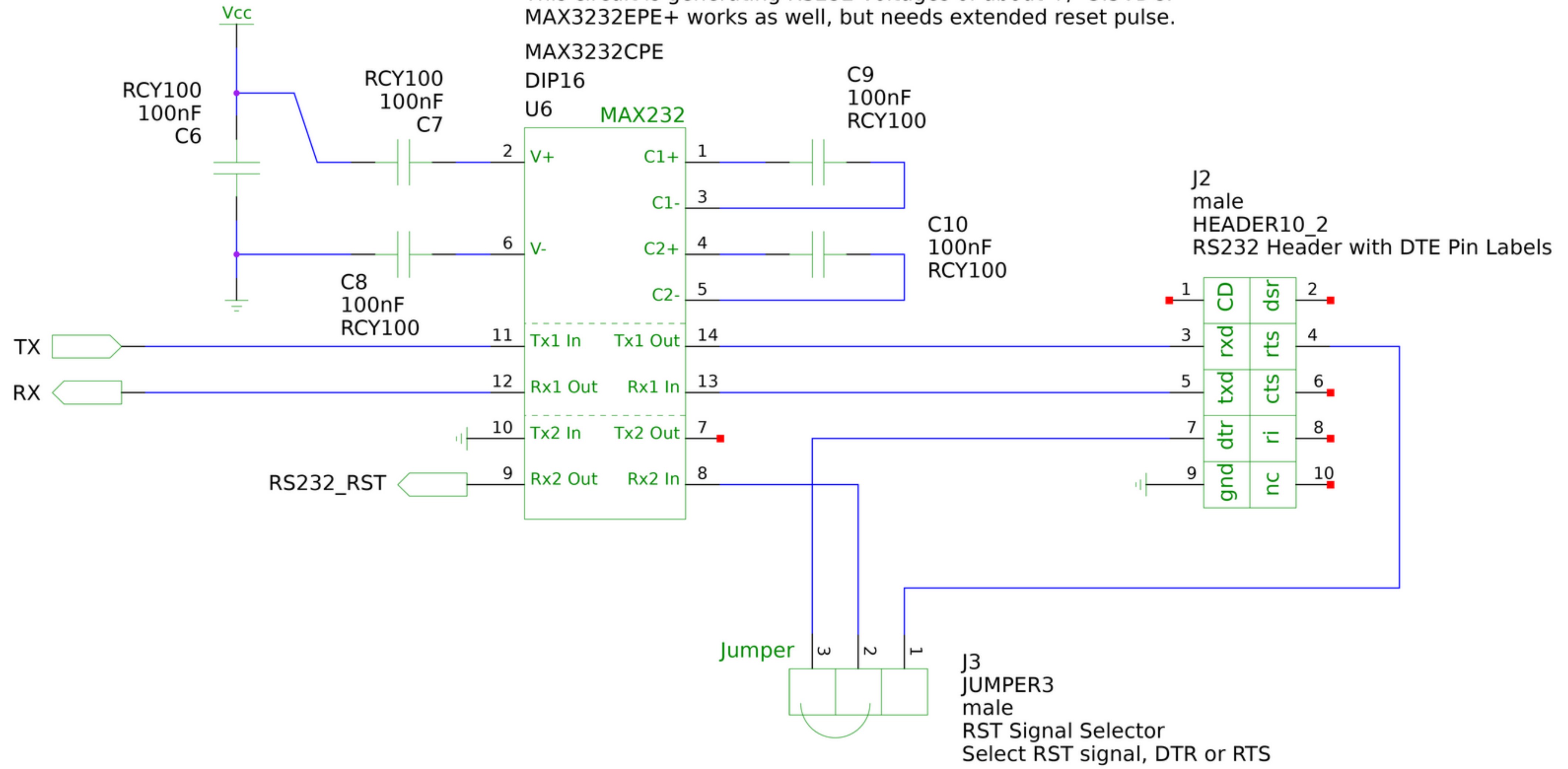


This circuit is generating RS232 voltages of about +/- 5.5VDC.  
 MAX3232EPE+ works as well, but needs extended reset pulse.



<b>RS232 Pinheader</b>		<b>Zerocat Chipflasher</b>	
		Flash free firmware, kick the Management Engine. <a href="https://zerocat.org/zerocat/projects/chipflasher">git://zerocat.org/zerocat/projects/chipflasher</a>	
TITLE		REVISION:	v0.7.0-318-fa7ba6995
FILE:	chipflasher-page06.sch	DRAWN BY:	kmx
PAGE	OF		